

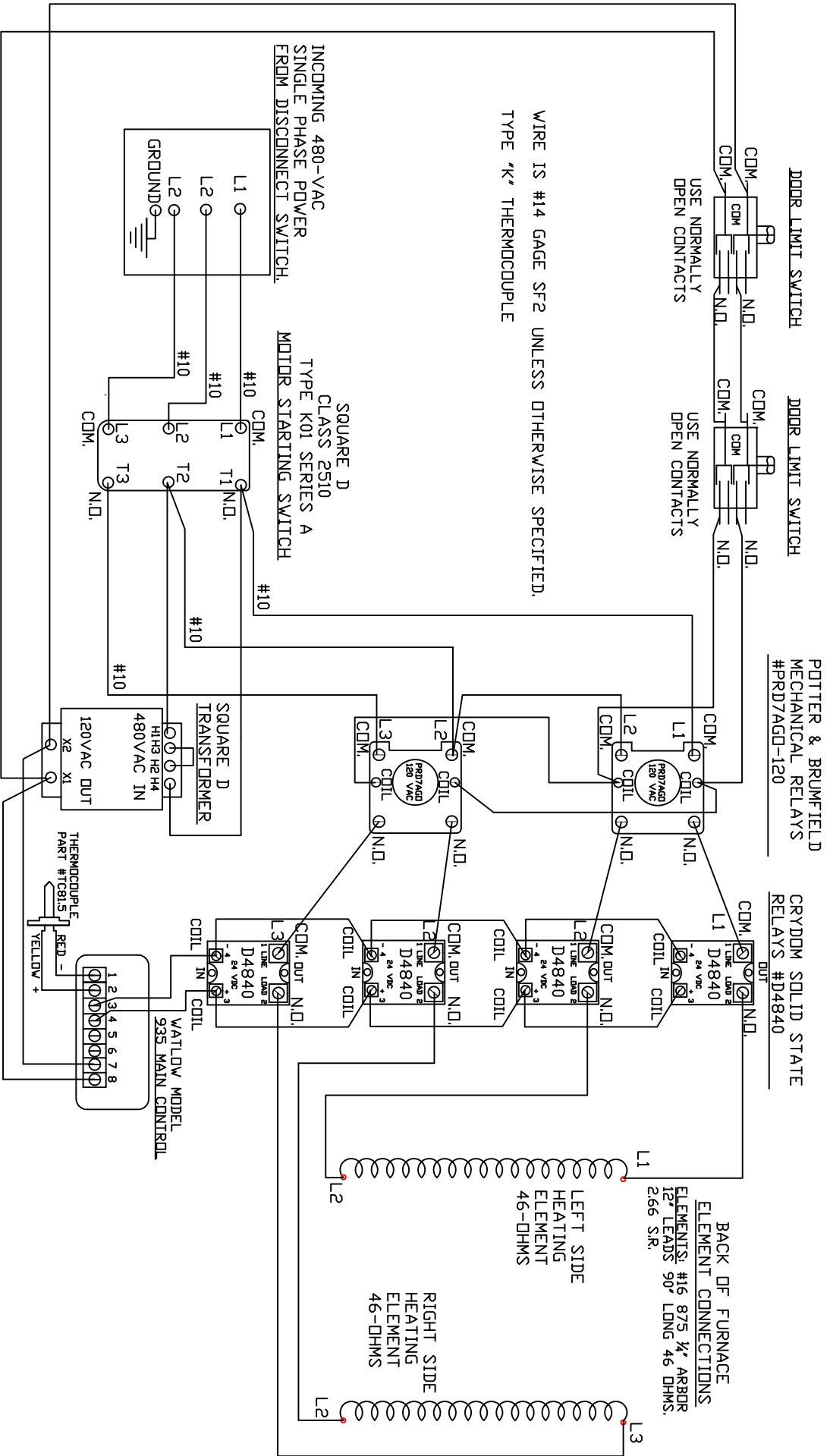


C122412/935

480-VAC, 19-AMPS, 3-PHASE

C122412-935-480-3p-9-07.dwg

WIRE IS #14 GAGE SF2 UNLESS OTHERWISE SPECIFIED.
TYPE 'K' THERMOCOUPLE



DOOR LIMIT SWITCH

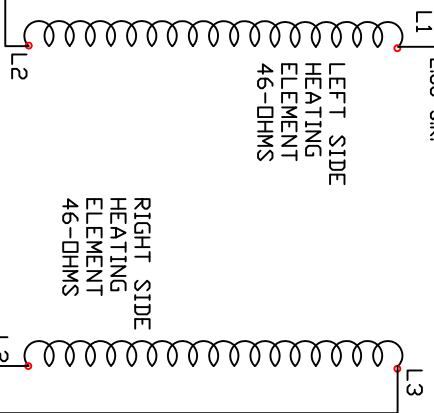
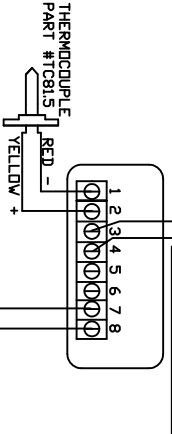
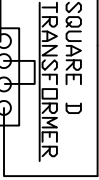
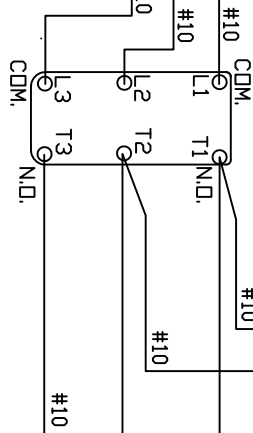
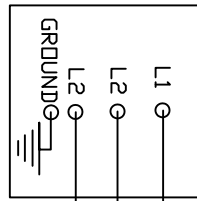
DOOR LIMIT SWITCH

POTTER & BRUMFIELD
MECHANICAL RELAYS
#PRD7AGD-120

CRYDOM SOLID STATE
RELAYS #D4840

INCOMING 480-VAC
SINGLE PHASE POWER
FROM DISCONNECT SWITCH.

SQUARE D
CLASS 2510
TYPE K01 SERIES A
MOTOR STARTING SWITCH



BACK OF FURNACE
ELEMENT CONNECTIONS
ELEMENTS: #16 875 1/4 ARBOR
127 LEADS 90° LONG 46 DHMS,
266 S.R.

LEFT SIDE
HEATING
ELEMENT
46-DHMS

RIGHT SIDE
HEATING
ELEMENT
46-DHMS