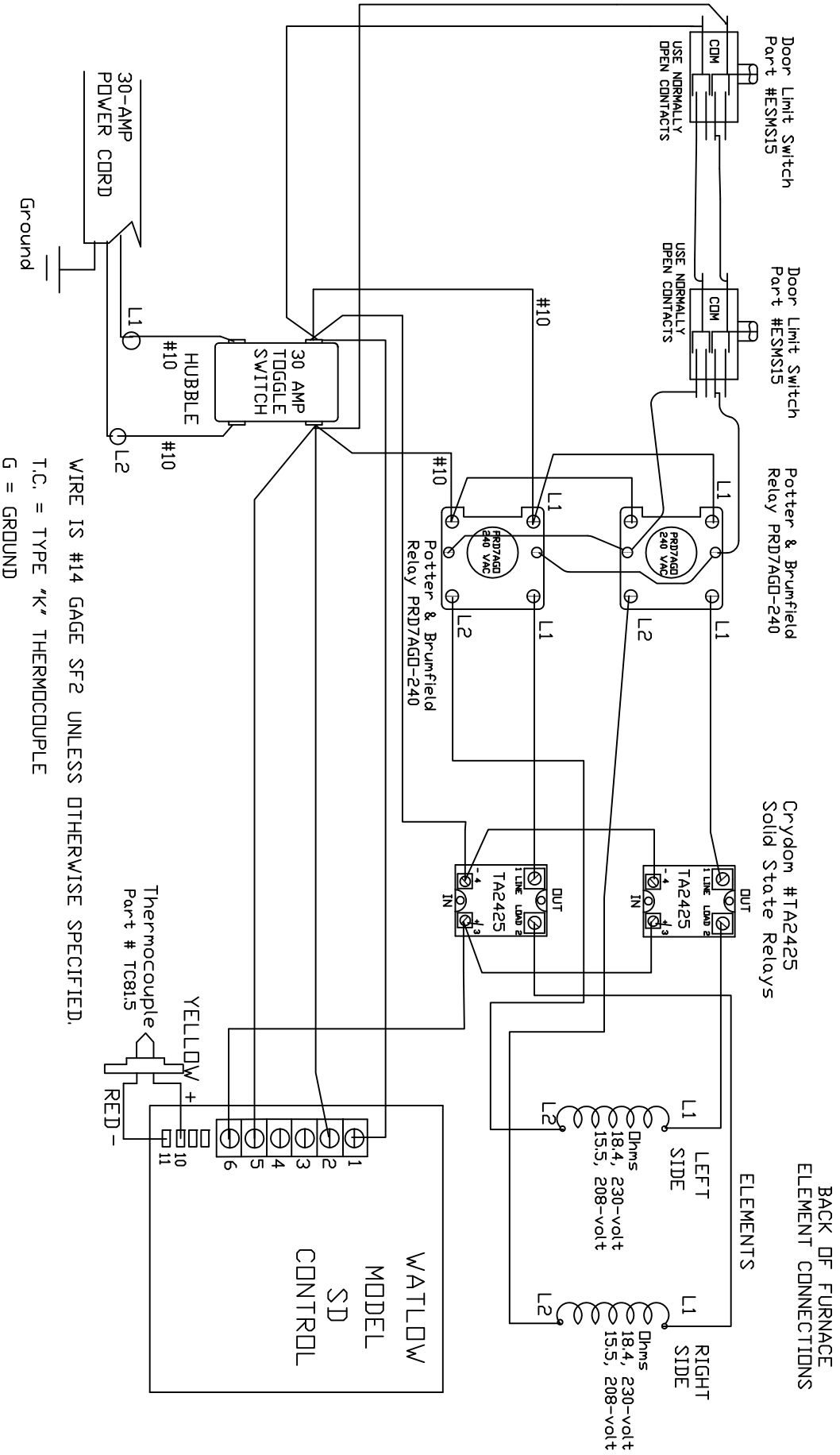


C1228-SD 230DVG 5/2005

C1228/SD
 C1232/SD
 C122012/SD
 240-VAC, 26-AMPS
 208-VAC, 27-AMPS



WIRE IS #14 GAGE SF2 UNLESS OTHERWISE SPECIFIED.
 T.C. = TYPE "K" THERMOCOUPLE
 G = GROUND

BACK OF FURNACE
 ELEMENT CONNECTIONS