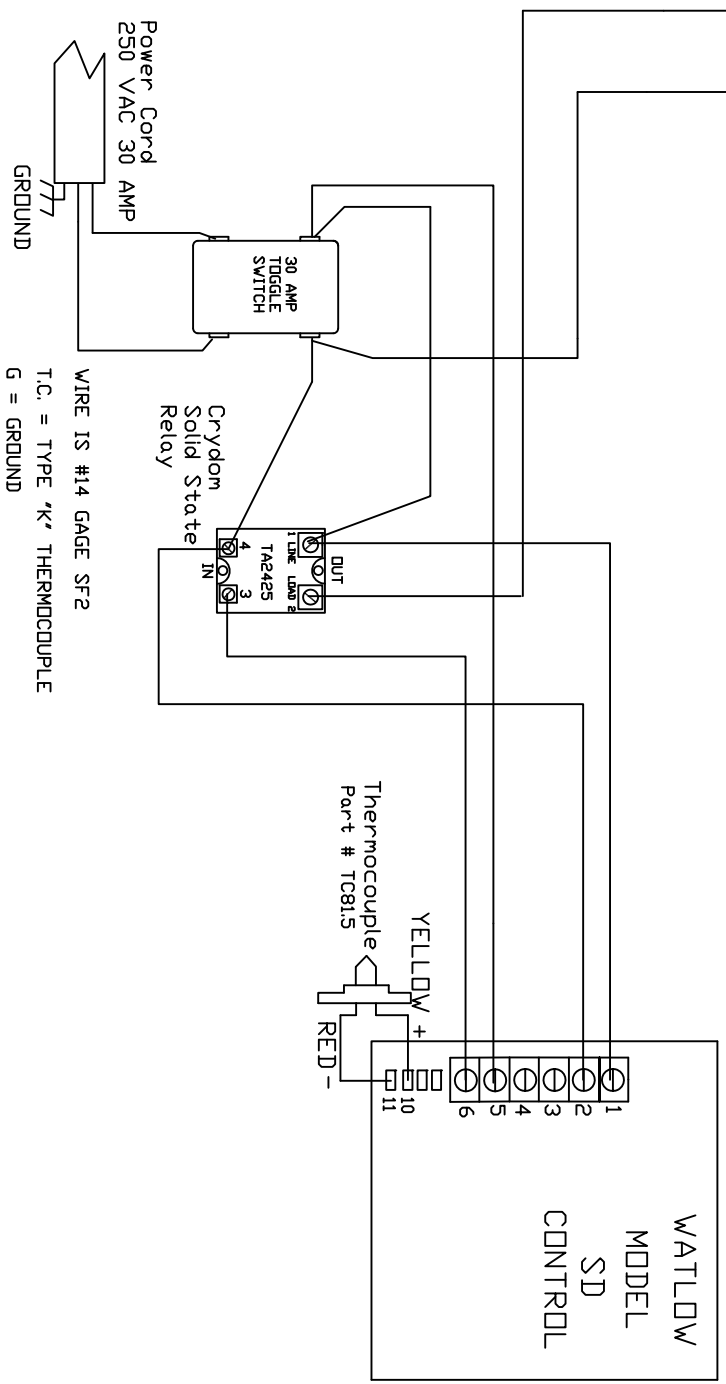
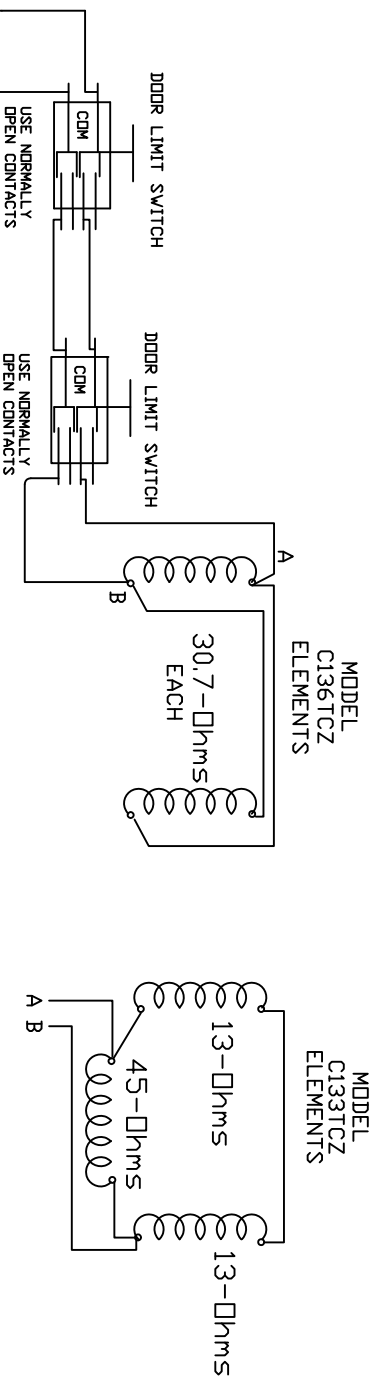


C133/SD
 240-Volt, 15-Amps
 C-136/SD
 240-Volt, 16-Amps



WIRE IS #14 GAGE SF2
 T.C. = TYPE 'K' THERMOCOUPLE
 G = GROUND