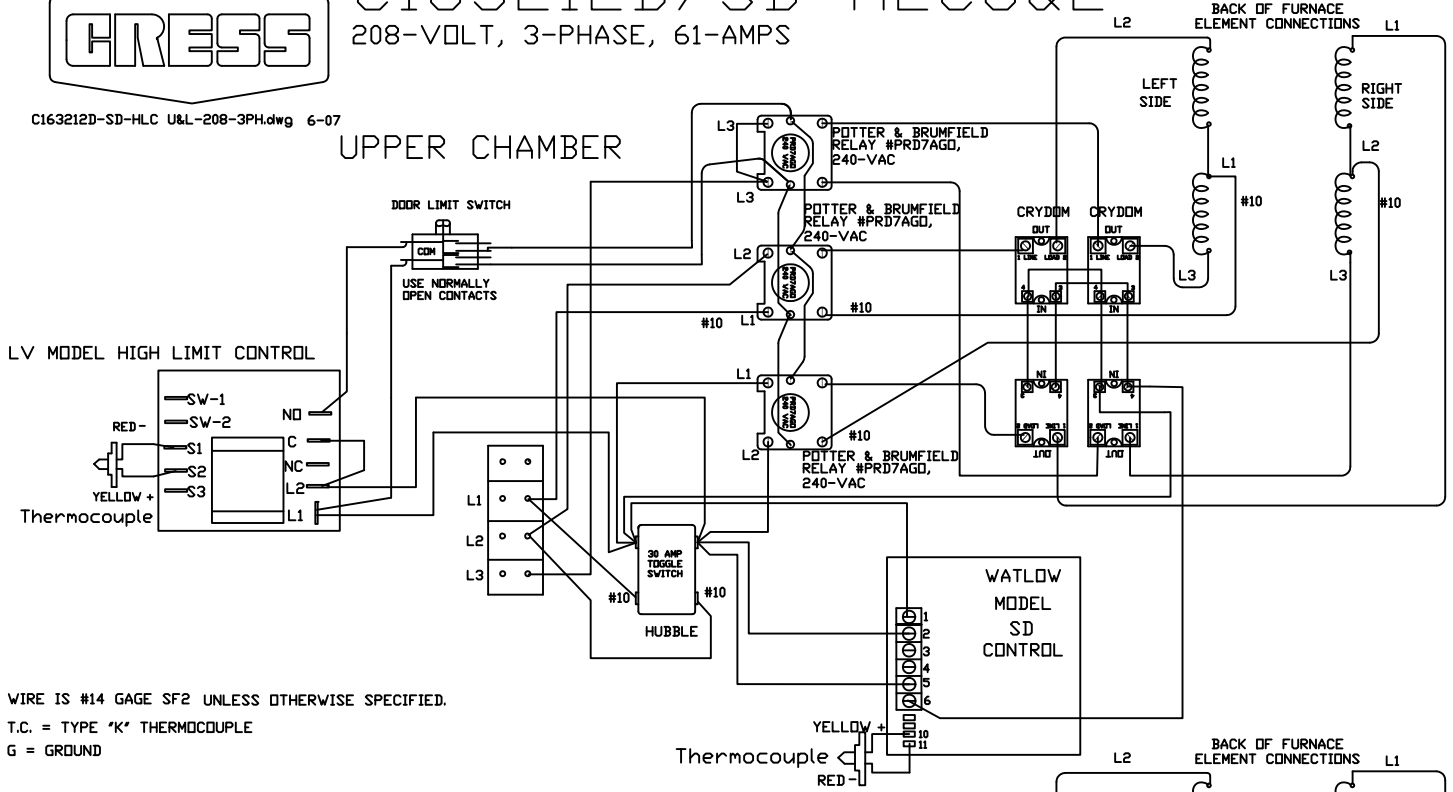


C163212D/SD HLCU&L

208-VOLT, 3-PHASE, 61-AMPS

C163212D-SD-HLC U&L-208-3PH.dwg 6-07

UPPER CHAMBER



WIRE IS #14 GAGE SF2 UNLESS OTHERWISE SPECIFIED.
 T.C. = TYPE "K" THERMOCOUPLE
 G = GROUND

LOWER CHAMBER

