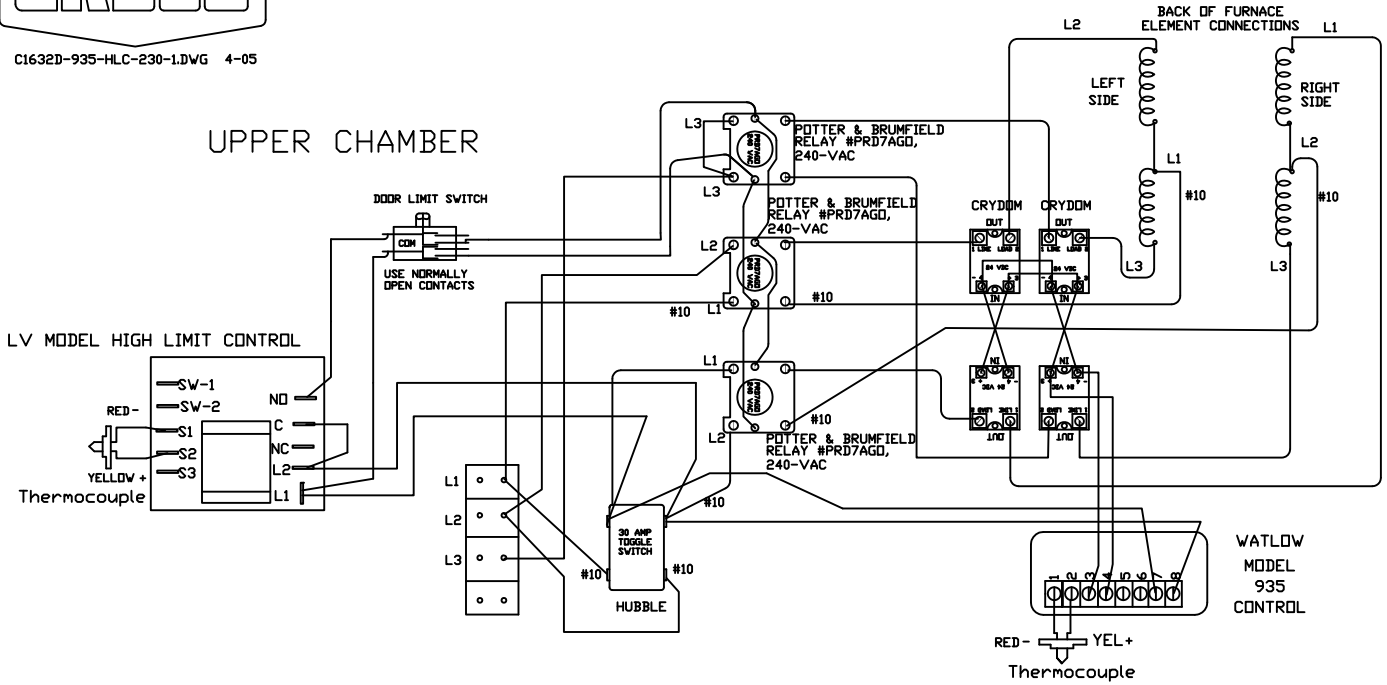


C1632D/935 HLC

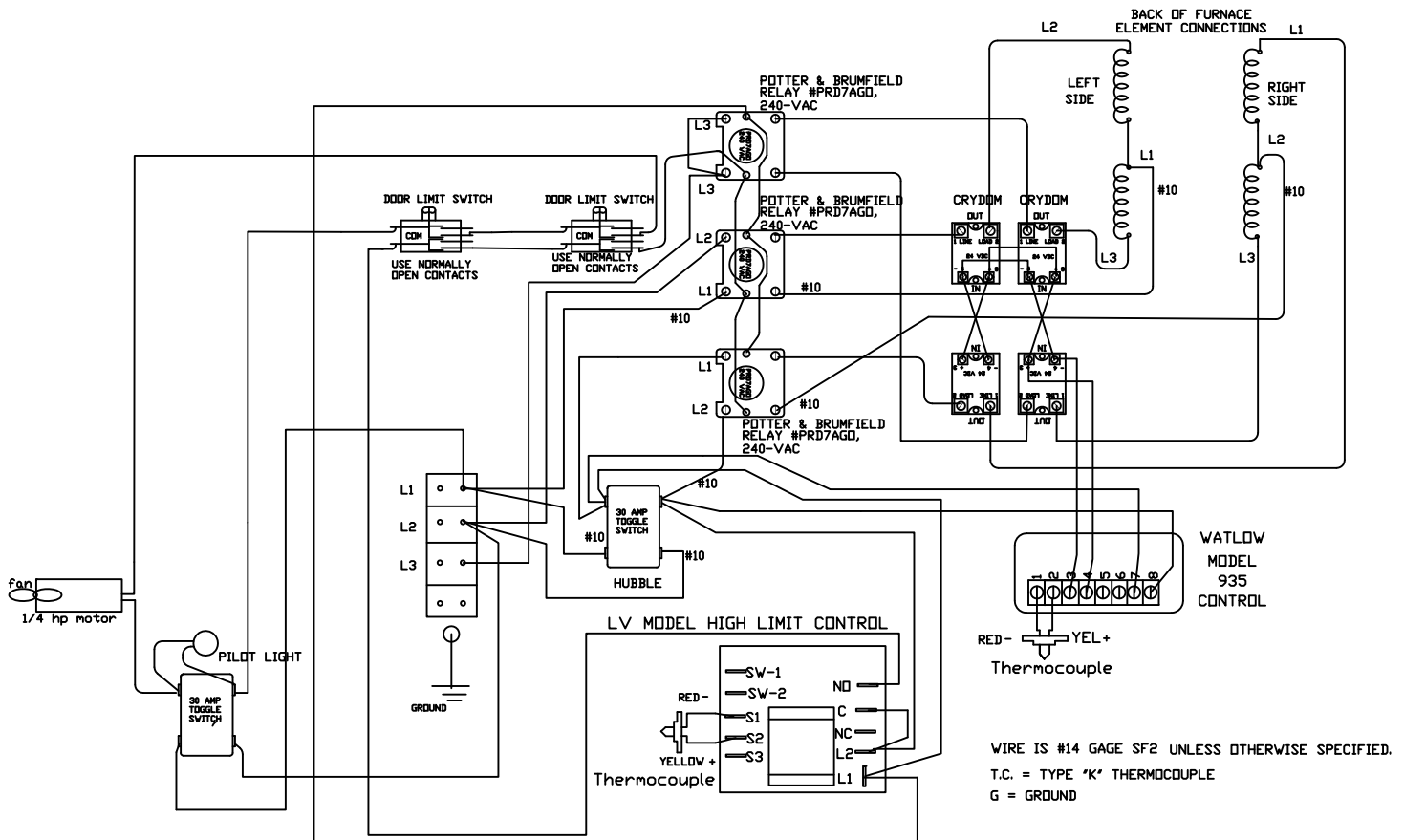
230-VOLT, 3-PHASE
208-VOLT, 3-PHASE

C1632D-935-HLC-230-1.DWG 4-05

UPPER CHAMBER



LOWER CHAMBER



WIRE IS #14 GAGE SF2 UNLESS OTHERWISE SPECIFIED.
T.C. = TYPE "K" THERMOCOUPLE
G = GROUND