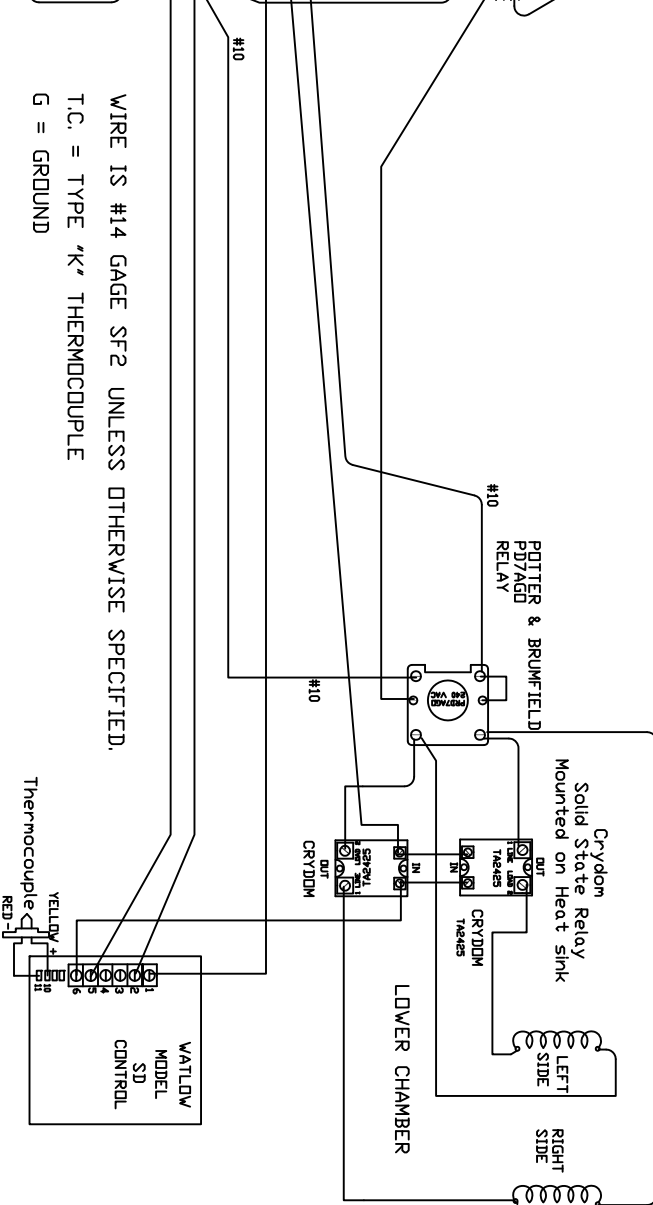
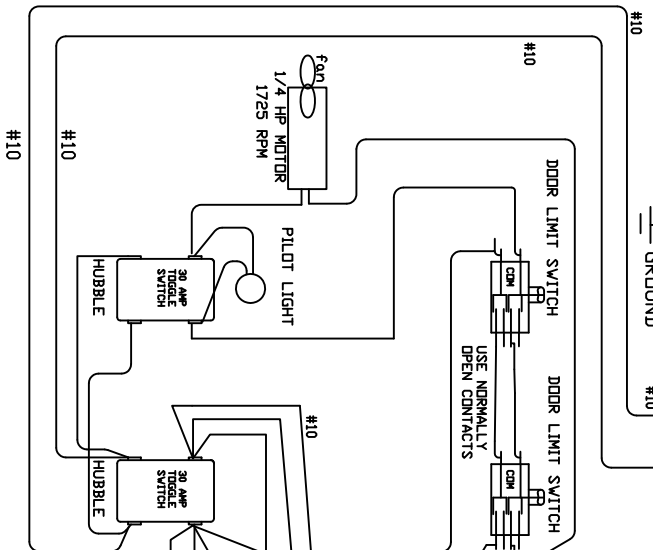
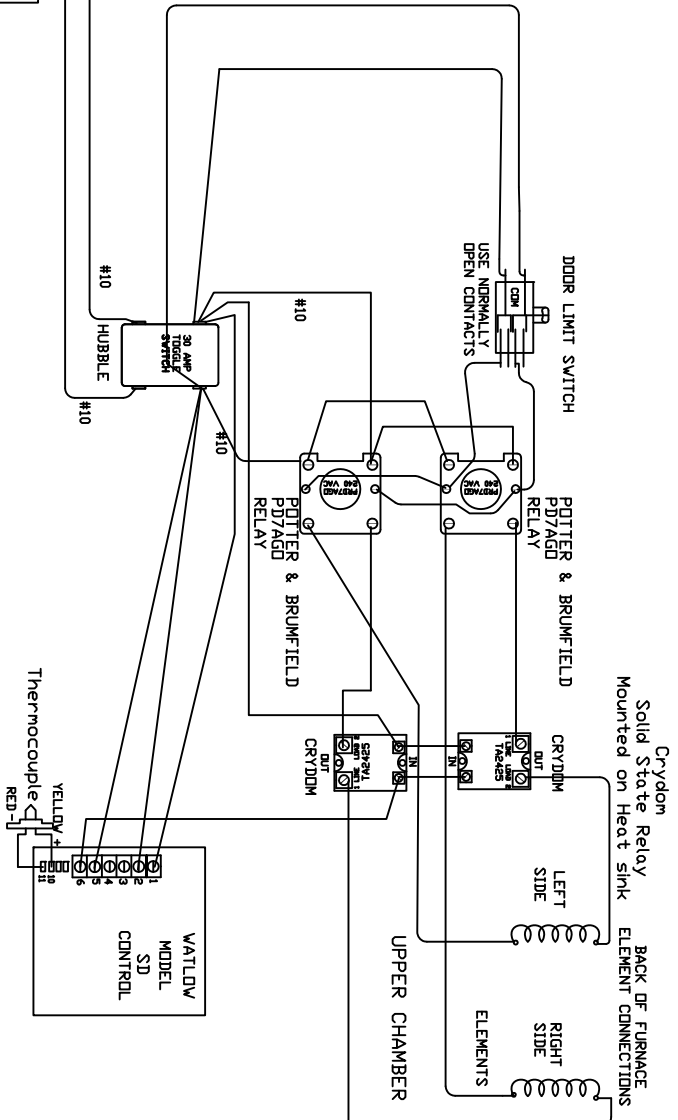
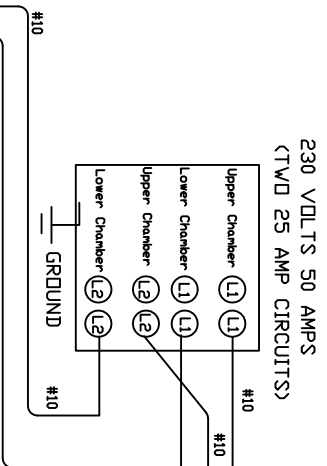


**HERBES**

C-2121/SD

240-Volt, Single-Phase, 45-Amps

C2121-SD-230-1ph.dwg    10-2005



WIRE IS #14 GAGE SF2 UNLESS OTHERWISE SPECIFIED.  
T.C. = TYPE 'K' THERMOCOUPLE  
G = GROUND

Crydym Solid State Relay Mounted on Heat sink  
BACK OF FURNACE ELEMENT CONNECTIONS

BACK OF FURNACE ELEMENT CONNECTIONS