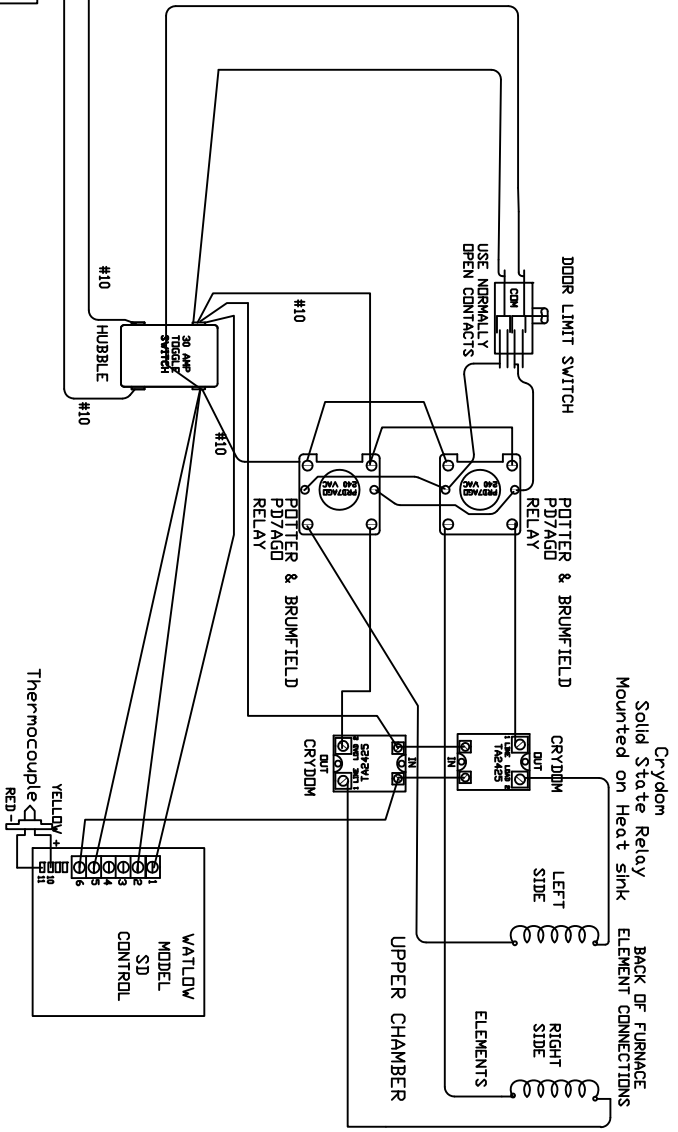
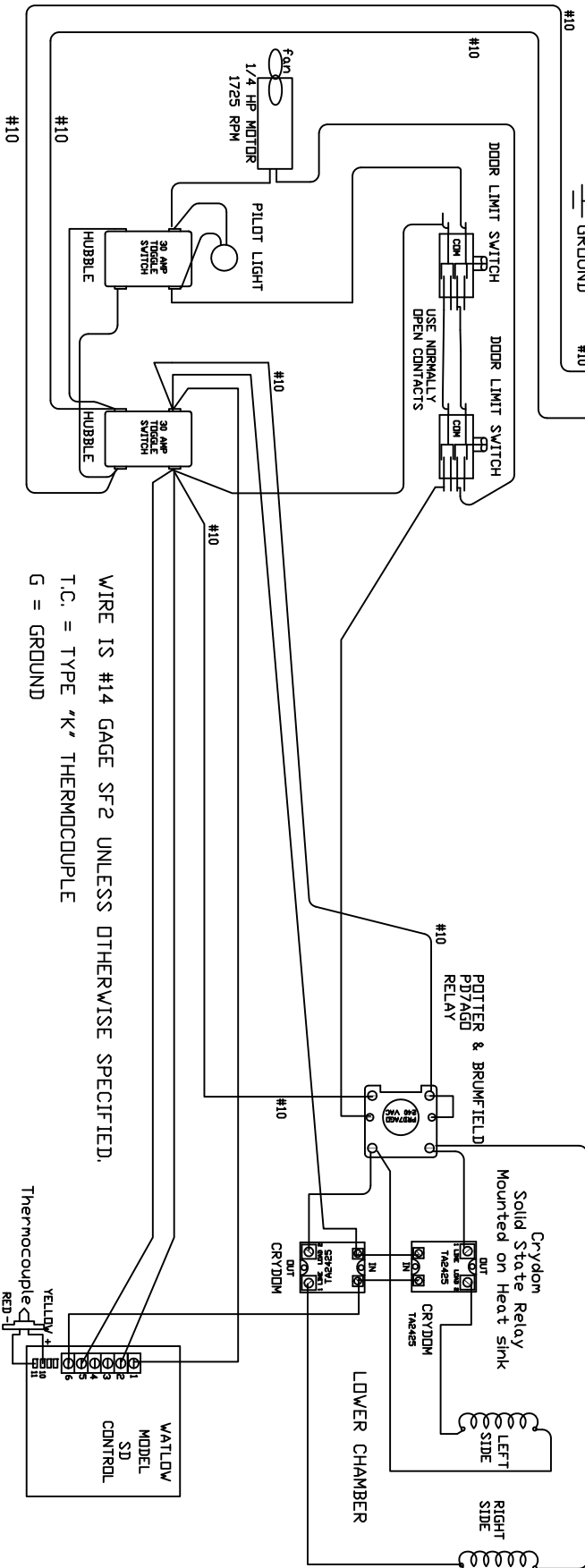
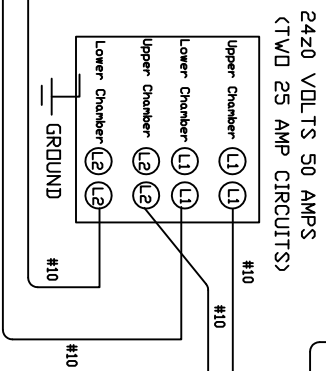


**HERBEG**

C122012/SD

240-Volt, Single-Phase, 47 Amps

C122012SD-240-1ph.dwg 6-2007



WIRE IS #14 GAGE SF2 UNLESS OTHERWISE SPECIFIED.  
T.C. = TYPE 'K' THERMOCOUPLE  
G = GROUND

Crydom Solid State Relay Mounted on Heat sink  
BACK OF FURNACE ELEMENT CONNECTIONS

BACK OF FURNACE ELEMENT CONNECTIONS