

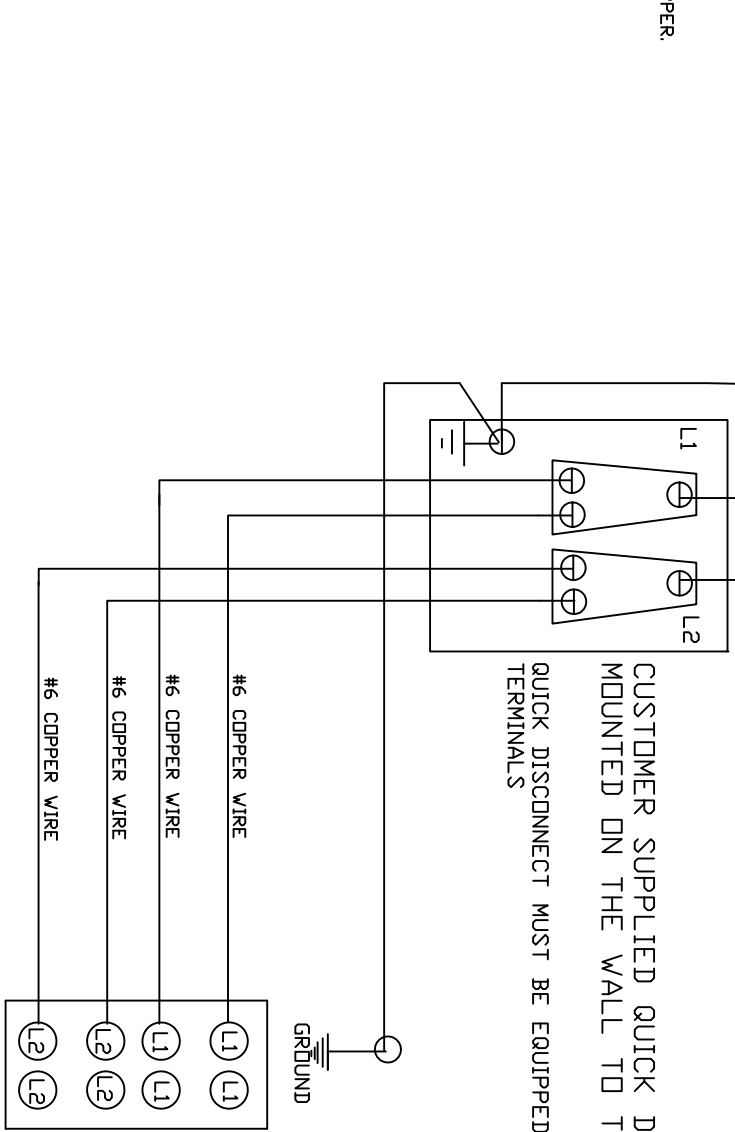
# FXC30FH SUPPLY WIRING 208-240 VOLT, SINGLE PHASE, 75-AMPS

ANY MODIFICATIONS TO THIS DIAGRAM NEEDED TO MEET LOCAL AND NATIONAL CODES MUST BE FOLLOWED  
ALL ELECTRICAL WORK MUST BE PERFORMED BY A QUALIFIED ELECTRICIAN

208-VOLT,  
SINGLE-PHASE  
INPUT FROM CIRCUIT  
BREAKER  
CIRCUIT BREAKER  
USE 90-AMP SIZE

L2 — #2 COPPER WIRE UP TO 40 FOOT RUN  
#1 COPPER WIRE 40-100 FOOT RUN  
L1 — #2 COPPER WIRE UP TO 40 FOOT RUN  
#1 COPPER WIRE 40-100 FOOT RUN  
GROUND —

NOTE: ALL WIRE IS COPPER.



CUSTOMER SUPPLIED QUICK DISCONNECT SWITCH  
MOUNTED ON THE WALL TO THE SIDE OF THE KILN.  
QUICK DISCONNECT MUST BE EQUIPPED WITH DUAL  
TERMINALS

INPUT POWER TERMINAL STRIP  
LOCATED ON KILN RIGHT SIDE